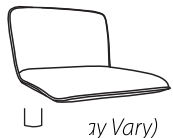
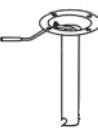





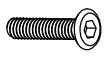

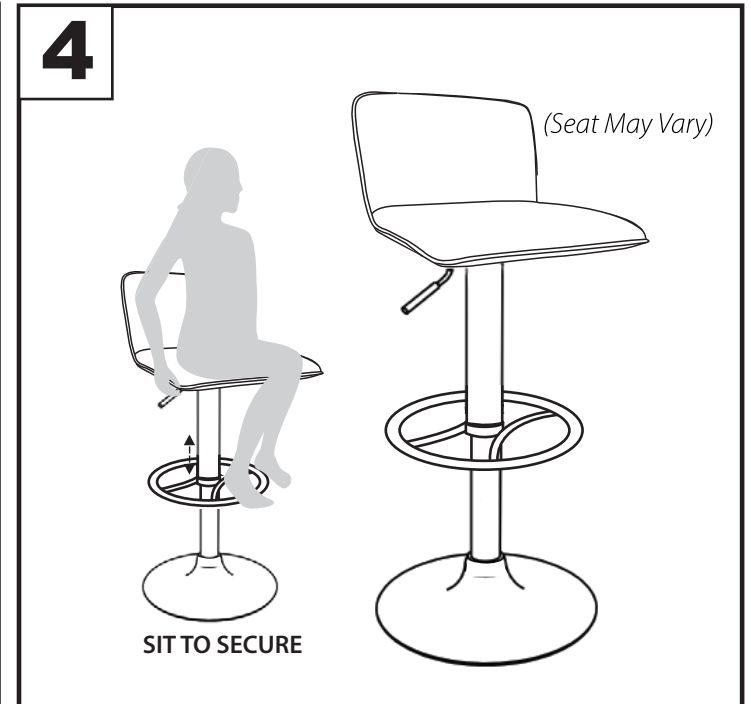
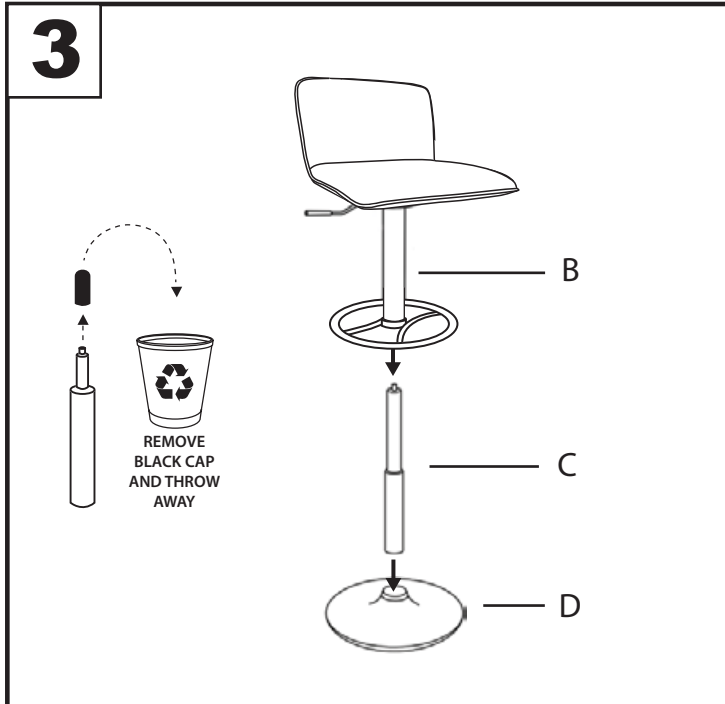
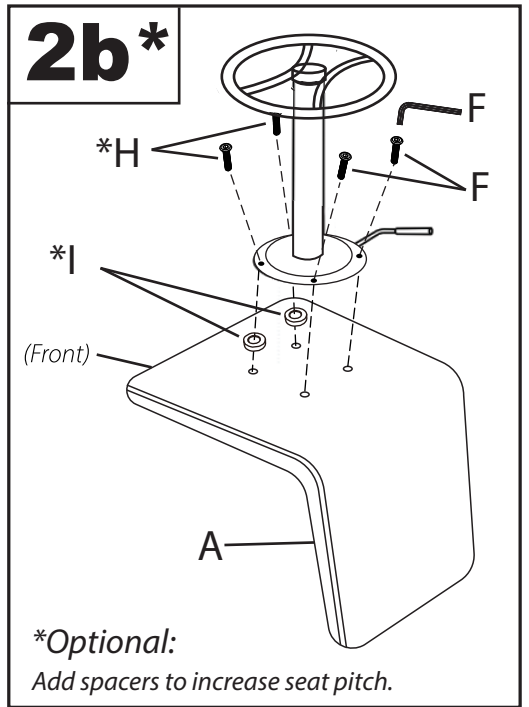
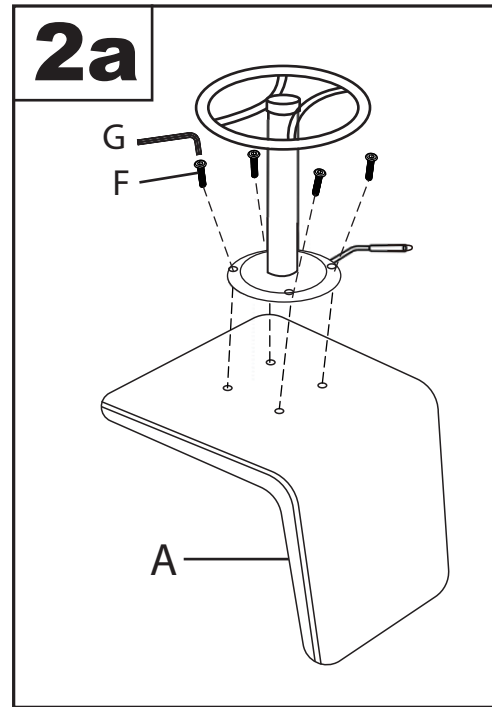
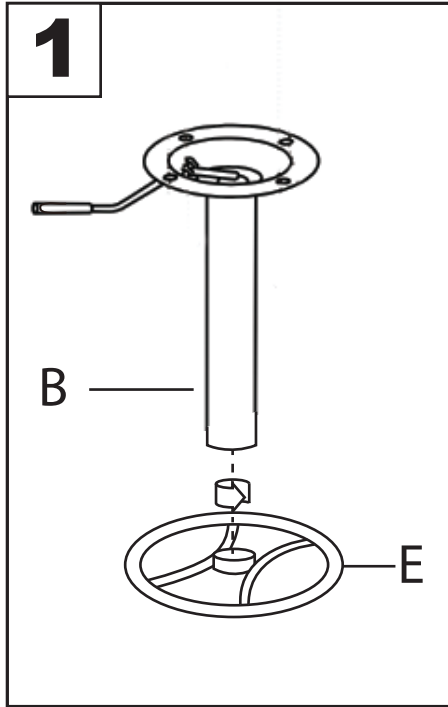


Adjustable Barstool Base- Wheel

Part # J33-WHL R17 XX+XX

21-1115

 <p>A <i>xy Vary</i></p>	<p>PARTS</p>	 <p>B</p>	 <p>C</p>	 <p>D</p>	 <p>E</p>	 <p>x4 (M6x16mm)</p> <p>F</p>	 <p>G</p>	 <p>x2 (M6x20mm) (Optional)</p> <p>*H</p>	 <p>x2 (Optional)</p> <p>*I</p>
---	---------------------	--	--	--	---	--	--	--	--


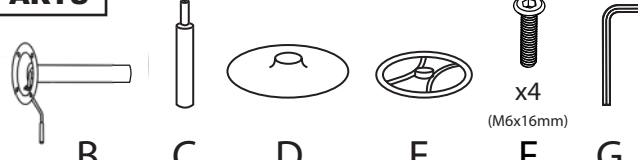
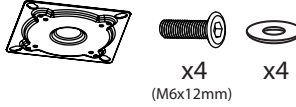



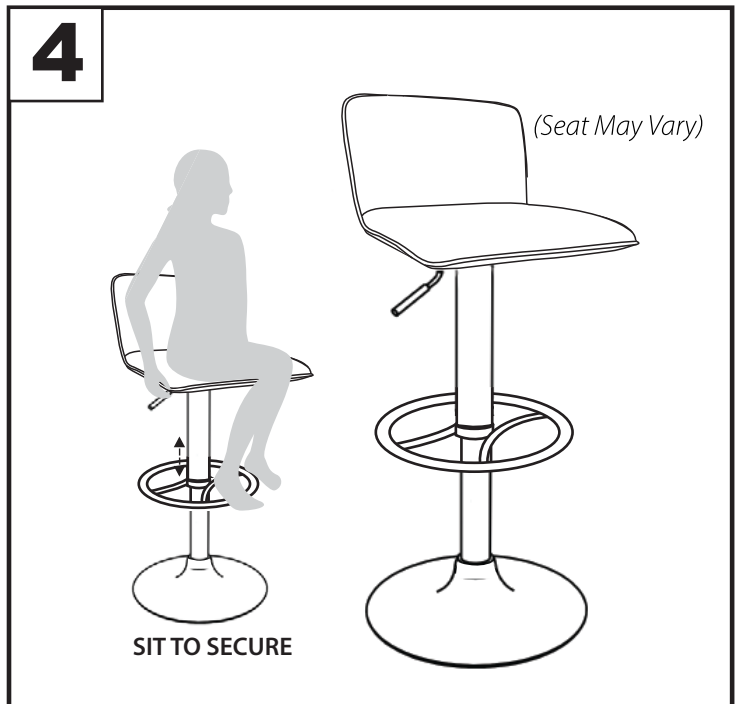
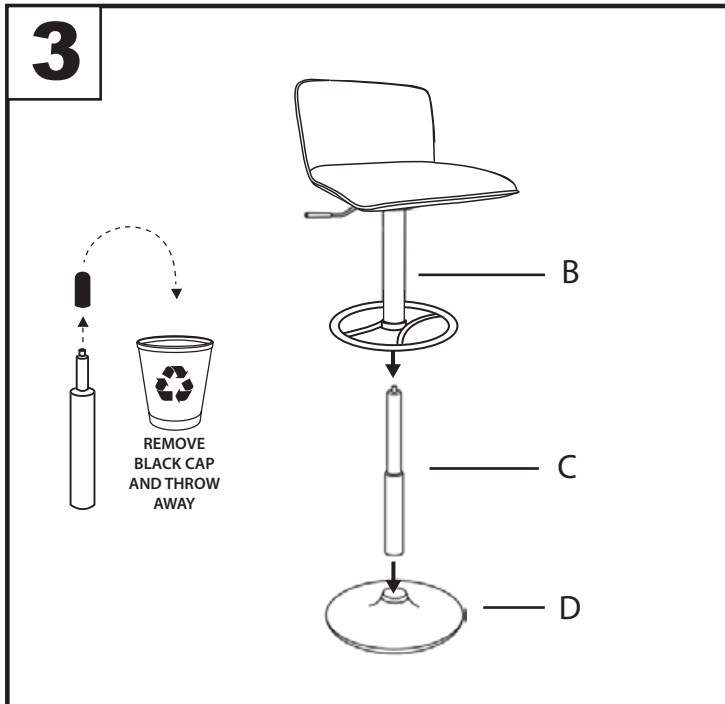
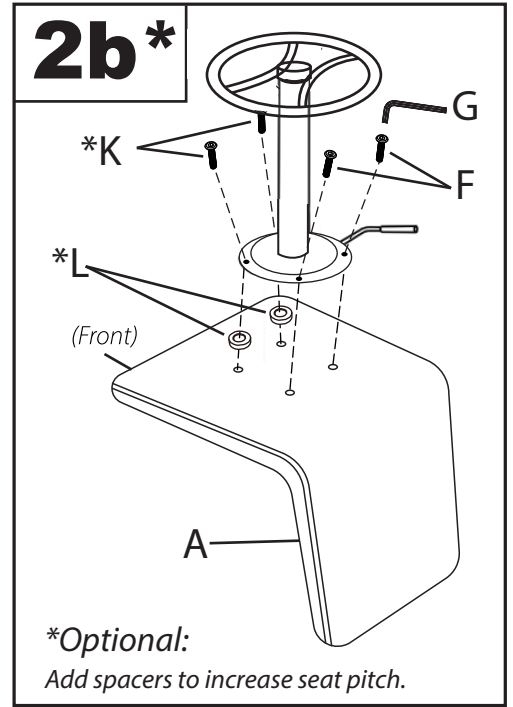
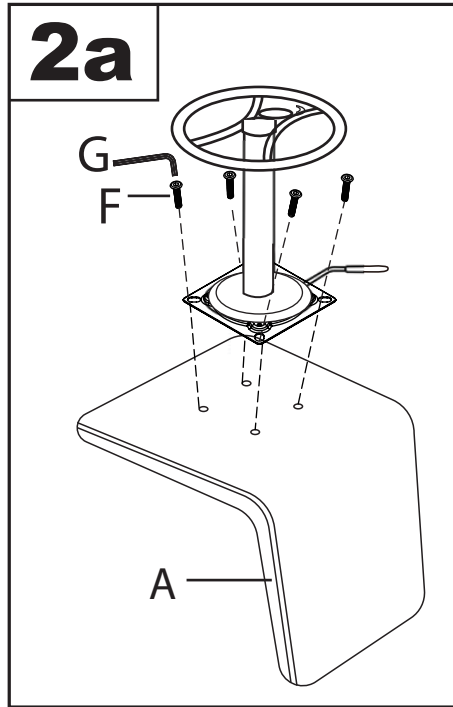
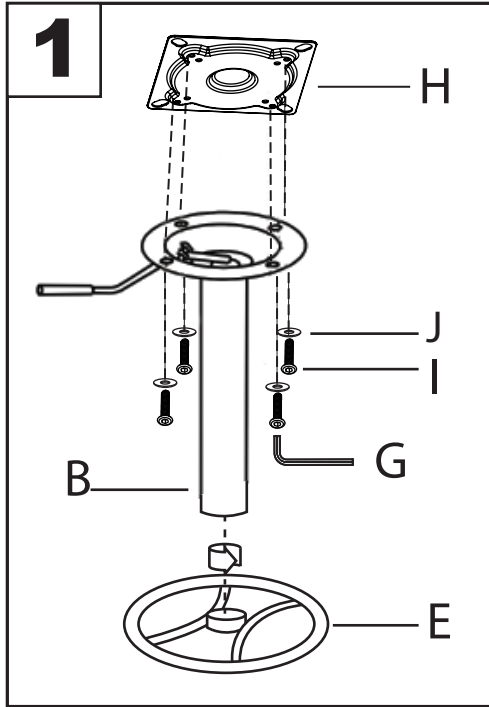
Do not over tighten.
Do not use power tools to assemble.

Adjustable Barstool Base- Wheel

Part # J33-WHL R17 XX+XX with 3355ADAP

21-1115

 (Seat May Vary) A	PARTS 											
--	---	--	--	--	--	--	--	--	--	--	---	--



Do not over tighten.
Do not use power tools to assemble.